



MILPOWER

DEFENCE SYSTEM

**COOLING
SOLUTIONS**
for Defence and
Aerospace Industry

HYPBUS

HYDRO-PNEUMATIC SUSPENSION

**HYDROPNEUMATIC
SUSPENSION SYSTEM**
for Military Vehicles

milpower



hypbus





MILPOWER
DEFENCE SYSTEM

Milpower Defence Systems was established in 2017 by versed engineers who have worked in military land vehicles projects for many years to design and produce solutions for the Defence Industry. Milpower Defence Sytems was established for the purpose and strategic goal of taking part in the military land vehicle, air platform, locomotive, and high-performance industrial system projects and to be the "Cooling Systems" supplier of these projects. Product development and project studies are carried out in R&D offices located in Ankara Bilkent Cyberpark and Istanbul Technopark. Product testing, verification, and assembly processes are carried out in the facility located in Ankara Ivedik. Milpower Defence Systems has product design and production capabilities in military and aerospace standards.

HYPoSUS
HYDRO-PNEUMATIC SUSPENSION

HYPoSUS was established in 2019 with the combination of Milpower Defence Systems and Hidrofil Engineering to uniquely design and manufacture hydro-pneumatic suspension systems for heavy tonnage military and tracked vehicles. HYPoSUS designs and manufactures parts such as hydro-pneumatic suspension systems for heavy tonnage vehicles with high maneuverability, and high-speed capability. HYPoSUS will continue to serve its products in different capacities without compromising its high quality and working principles, taking into account the benefits and satisfaction of its domestic and international customers.



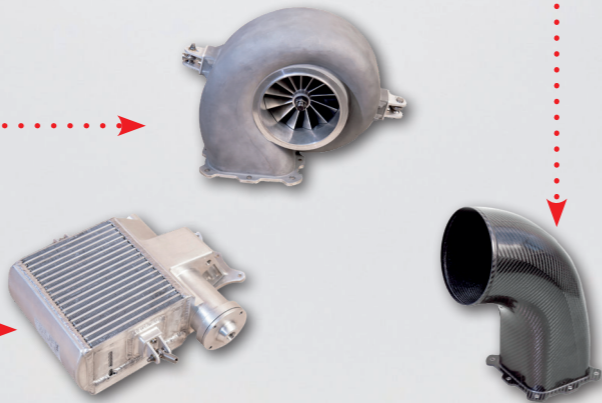
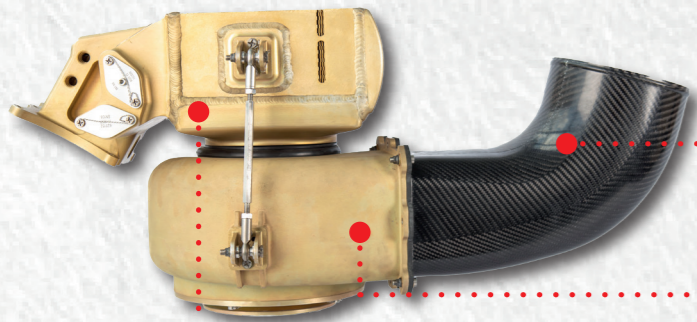


MILPOWER

DEFENCE SYSTEM

HELICOPTER OIL COOLING SYSTEM

- ✓ High Performance Radial Fan
- ✓ Aluminium Light Weight
- ✓ Integrated Valves & Switches
- ✓ Suitable for high speed
- ✓ System Design, Production and Testing

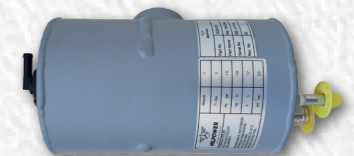
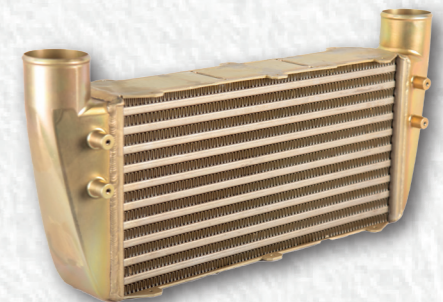


MILPOWER

DEFENCE SYSTEM

UNMANNED AIR VEHICLE COOLING COMPONENTS

- ✓ Radiator
- ✓ Intercooler
- ✓ Expansion Tank



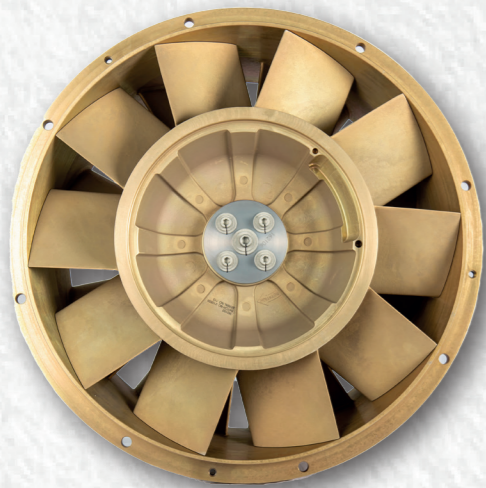


MILPOWER

DEFENCE SYSTEM

TYPHOON

New Generation
Cooling Fan



MILPOWER

DEFENCE SYSTEM

THUNDER

High Performance
Centrifugal Fan



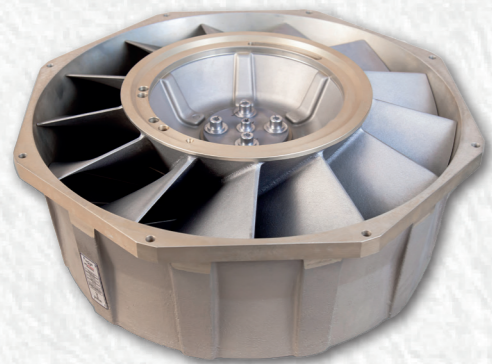
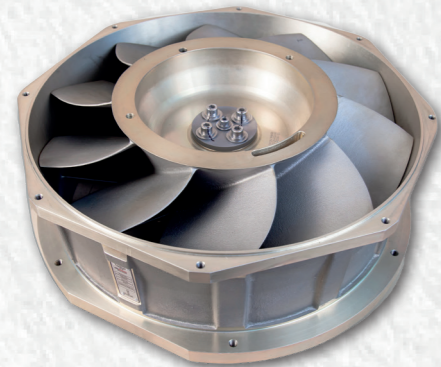


MILPOWER

DEFENCE SYSTEM

TORNADO

Tornado V1, V2 and HP



MILPOWER

DEFENCE SYSTEM

BORA FAN

High Performance Cooling
Fan for Narrow Spaces



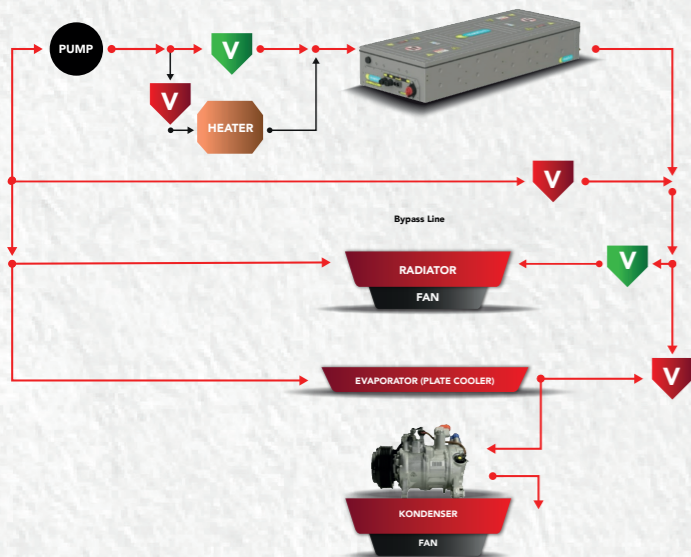


MILPOWER

DEFENCE SYSTEM

BATTERY THERMAL MANAGEMENT SYSTEM

- ✓ Passive System (Dry Cooling)
- ✓ Active System (Refrigeration Cycle)
- ✓ Low Energy Consumption
- ✓ Compact Design
- ✓ Conforming to Military Standards

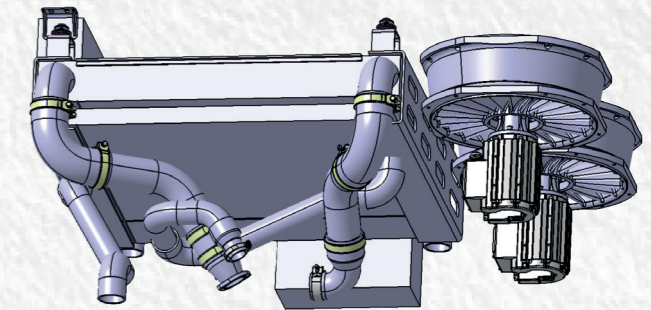


MILPOWER

DEFENCE SYSTEM

HYBRID MILITARY VEHICLE COOLING SOLUTIONS

- ✓ Dry Cooling System
- ✓ Hybrid and Diesel Engine Cooling System
- ✓ Aluminium Heat Exchanger
- ✓ Electric Motor Driven e-Bora Fan
- ✓ High Flow at High Pressure with Variable Speed





MILPOWER

DEFENCE SYSTEM

AXIAL ELECTRICAL FANS

High performance flowrates at different rpm

- ✓ Aluminum Housing.
Aluminum or Plastic Rotor
- ✓ Low Power Consumption,
Wide Voltage Operating
Range
- ✓ Conforming to Military
Standarts



MILPOWER

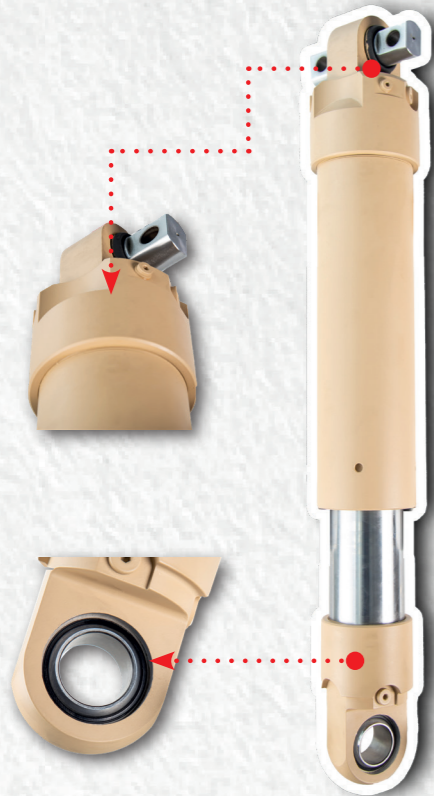
DEFENCE SYSTEM

RADIAL ELECTRICAL FANS



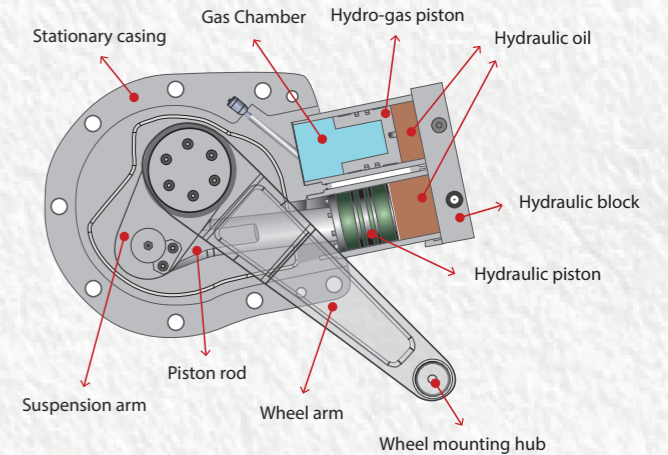
HYDROPYNOOMATIC SUSPENSION SYSTEM FOR MILITARY WHEELED VEHICLES

- ✓ Hydropneumatic suspension system for wheeled military vehicles (4x4, 6x6, 8x8) and heavy-duty vehicles (firefighting, mining)



HYDROPYNOOMATIC SUSPENSION SYSTEM FOR MILITARY TRACKED VEHICLES

- ✓ Hydropneumatic suspension system for tracked military vehicles (main battle tank, etc.)





MILPOWER

DEFENCE SYSTEM

HYPBUS

HYDRO-PNEUMATIC SUSPENSION